



CLW 100

| 400W Warehouse Lighting |

Construction

- 100% recyclable materials
- Hook & eye hanging system
- IP rating 65
- Revolutionary 100 W Chip Array
- Heat Wick® heat sink technology

Operating Ranges

- Operating temperature range of - 40 to 140°F
- Operating humidity range of 10 - 99%

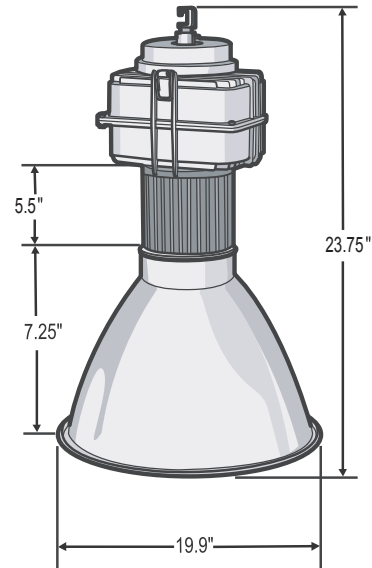


CLGL Design

- 24 hr run hard design
- No hazardous substances. ROHS compliant.
- No mercury. No lead.
- No on / off hour rating specifications
- Works with existing occupancy sensing technology

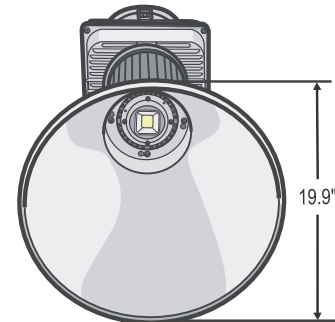
Applications

- Warehouse, Manufacturing, Parking Garage,
- Convention Space Lighting, Lobby Lighting



Model Details

Wattage	108
Lumens	8121
Effective Lumen Output	400W
Approximate Weight	6 lbs. 4 oz.
Warranty	5 Year



Ordering Information

Please Fill Out Below

Model : CLW 100

Lamp Quantity

Hood Options

(LB-Low Bay wide, HB-High Bay pointed distribution, AC - acrylic ring)

Voltage

120V -240V, 277V -347V

Lamp Color

4100K, 5500K