



CLGLR6

| 6" LED Recessed Can Retrofit |

Construction

Aluminum alloy housing
Heat Wick® heat sink technology
Acrylic Lens
IP 56

Specifications

Operating temperature range of -40 to 140°F
Operating humidity range of 10 - 99%

Product Design

No hazardous substances. ROHS compliant.
No mercury. No lead.

Applications

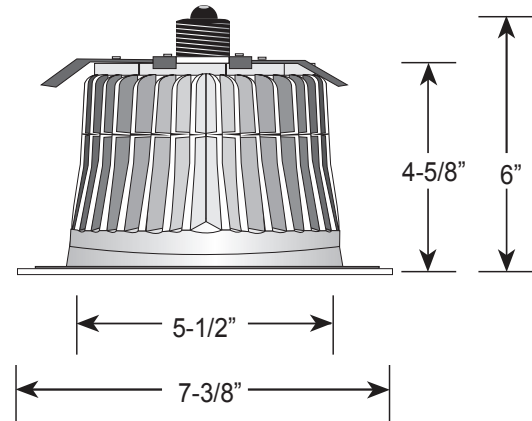
Recessed Can Retrofits, Down Lighting,
Kitchens, Baths

Model Details

Wattage	LR6 @ 12W
Approximate Weight	3 lbs. 0 oz.
Effective Lumen Output	LR6 @ 54.17 LPW
Warranty	5 Year



UL Listed



Ordering Information

Please Fill Out Below

Model : CLGLR6

Lamp Quantity

Voltage

Lamp Color

120V, 277V*, 347V*
*Using a step down transformer

2700K, 3500K