



CLGL 360 - 60

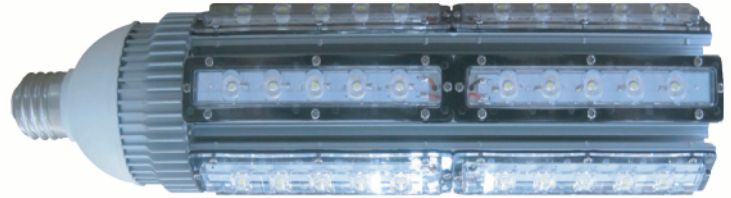
| 250W Lighting Equivalent |

Construction

- 100% recyclable materials
- 300° viewing angle
- Clear Polycarbonate lens
- HeatWick® heat sink technology
- Utilizing Cree LEDs

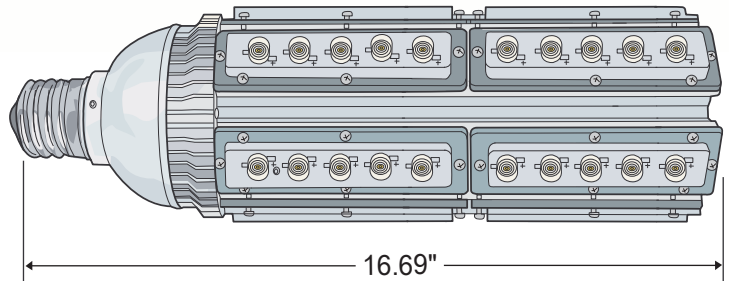
Operating Ranges

- Operating temperature range of -40° to 140° F
- Operating humidity range of 10 - 99%
- CRI: 75



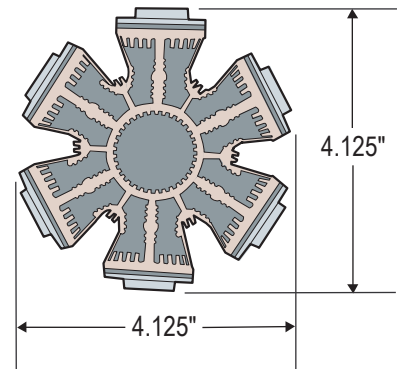
CLGL Design

- 24 hr run hard design
- No hazardous substances. ROHS compliant.
- No Mercury. No Lead
- Lifetime > 60,000 HRS/ 70% efficacy point



Applications

- Acorn fixtures, Post Tops, Heritage fixtures,
- Globe Lighting, Street Lamps



Model Details

Wattage	61
Lumens	4167
Lumens Per Watt	68
Warranty	5 Year

Ordering Information

Please Fill Out Below

Model : CLGL 360 - 60

Lamp Quantity

Lamp Base

E27 (Edison), E40 (Mogul)

Voltage

120V, 277V, 347V*
*Using a step down transformer

Lamp Color

3500K, 5500K