



CLGL 24

| 2' X 4' LED Indirect Light Panel |

Construction

Aluminum housing
Frosted poly carb shield, safe for food prep area.
Heat Wick ® heat sink technology

Specifications

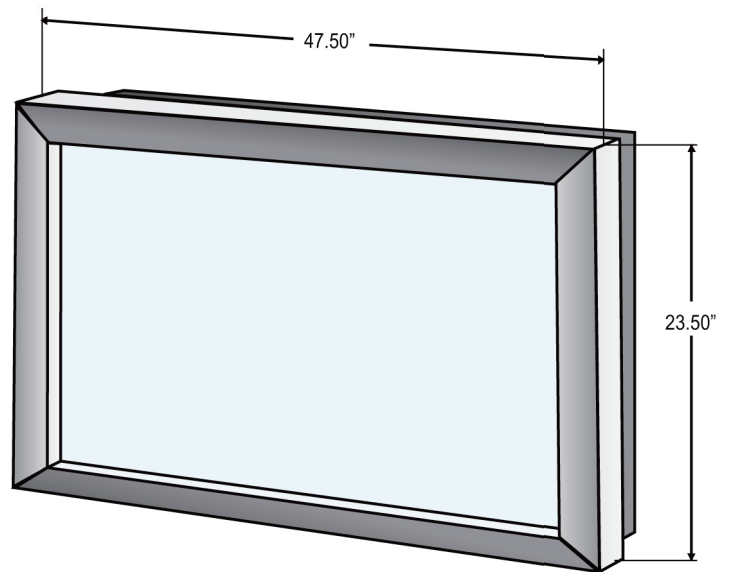
Operating temperature range of -40 to 140°F
Operating humidity range of 10 - 99%

CLGL Design

24 hr run hard design
Engineered for use with standard 2' X 4' ceilings
No hazardous substances. ROHS compliant.
No mercury. No lead.

Applications

Office Lighting, Lobby Lighting, Modern Lighting,
Commercial/ Kitchen Lighting, Advertisements,
Back Lighting



Model Details

Wattage	75
Lumens	4505
Approximate Weight	22 lbs. 5 oz.
Approximate Length	2 X 4 feet
Warranty	5 Year



UL Listed

Ordering Information

Please Fill Out Below

Model : CLGL 24

Lamp Quantity

Mounting Options

Lay In (Standard), Wall Mount
or Hanging

Voltage

110V- 240V, 277V*, 347*
*Using a step down transformer

Lamp Color

3300K, 5500K, 6500K